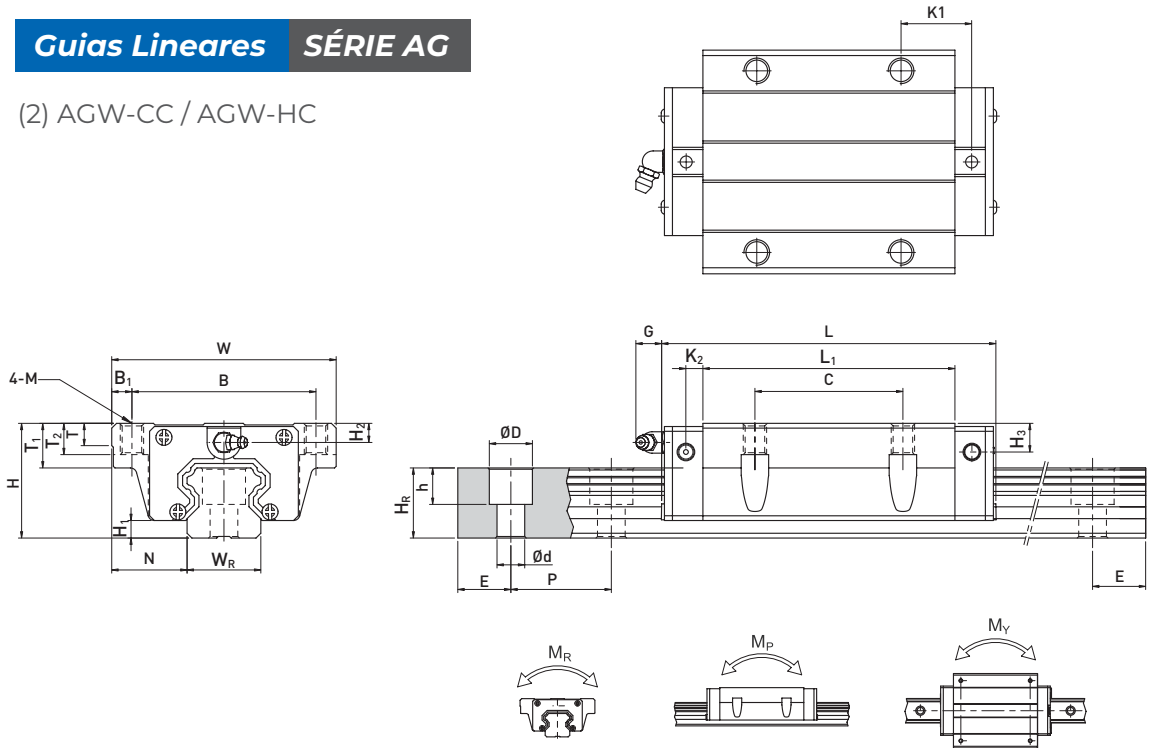


## Guias Lineares SÉRIE AG

(2) AGW-CC / AGW-HC



Modelo No.	Dimensões de Montagem (mm)			Dimensões do Bloco (mm)													Dimensões do Trilho (mm)					Montagem do Parafuso no Trilho (mm)	Carga Dinâmica C (kN)	Carga Estática Co (kN)	Momento Estático			Peso					
	H	Hi	N	W	B	B1	C	L1	L	K1	K2	G	M	T	T1	T2	H2	H3	Wa	Hs	D				h	d	P	E	Mx	My	Mz	Bloco kg	Trilho kg/m
AGW 15CC	24	4.3	16	47	38	4.5	30	39.4	61.4	8	4.85	5.3	M5	6	8.9	6.95	3.95	3.7	15	15	7.5	5.3	4.5	60	20	M4x16	11.38	16.97	0.12	0.10	0.10	0.17	1.45
AGW 20CC	30	4.6	21.5	63	53	5	40	50.5	77.5	10.25	6	12	M6	8	10	9.5	6	6	20	17.5	9.5	8.5	6	60	20	M5x16	17.75	27.76	0.27	0.20	0.20	0.40	2.21
AGW 20HC								65.2	92.2	17.6																							
AGW 25CC	36	5.5	23.5	70	57	6.5	45	58	84	11.8	6	12	M8	8	14	10	6	5	23	22	11	9	7	60	20	M6x20	26.48	36.49	0.42	0.33	0.33	0.59	3.21
AGW 25HC								78.6	104.6	22.1																							
AGW 30CC	42	6	31	90	72	9	52	70	97.4	14.25	6	12	M10	8.5	16	10	6.5	10.8	28	26	14	12	9	80	20	M8x25	38.74	52.19	0.66	0.53	0.53	1.09	4.47
AGW 30HC								93	120.4	25.75																							
AGW 35CC	48	7.5	33	100	82	9	62	80	112.4	14.6	7	12	M10	10.1	18	13	9	12.6	34	29	14	12	9	80	20	M8x25	49.52	69.16	1.16	0.81	0.81	1.56	6.30
AGW 35HC								105.8	138.2	27.5																							
AGW 45CC	60	9.5	37.5	120	100	10	80	97	139.4	13	10	12.9	M12	15.1	22	15	8.5	20.5	45	38	20	17	14	105	22.5	M12x35	77.57	102.71	1.98	1.55	1.55	2.79	10.41
AGW 45HC								128.8	171.2	28.9																							
AGW 55CC	70	13	43.5	140	116	12	95	117.7	166.7	17.35	11	12.9	M14	17.5	26.5	17	12	19	53	44	23	20	16	120	30	M14x45	114.44	148.33	3.69	2.64	2.64	4.52	15.08
AGW 55HC								155.8	204.8	36.4																							
AGW 65CC	90	15	53.5	170	142	14	110	144.2	200.2	23.1	14	12.9	M16	25	37.5	23	15	15	63	53	26	22	18	150	35	M16x50	163.63	215.33	6.65	4.27	4.27	9.17	21.8
AGW 65HC								203.6	259.6	52.8																							
AGW 68HC																																	

Nota: 1 kgf = 9.81 N