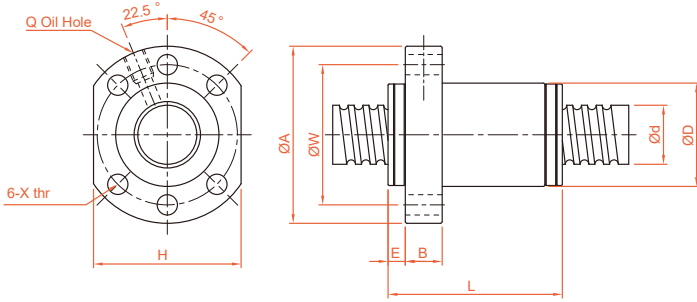


## SFJ (DIN 69051 FORM B) Series Specifications



單位 : mm

Model No.	d	l	Da	Dimension										Load Rating		K kgf/ μm
				D	A	E	B	L	W	H	X	Q	n	Ca (kgf)	Coa (kgf)	
SFJ00606-1.8	6	6	1.2	14	27	3	4	21	21	16	3.4	-	1.8x1	78	122	4
SFJ00808-1.8	8	8		18	31	3	4	26	25	20	3.4	-	1.8x1	89	164	5