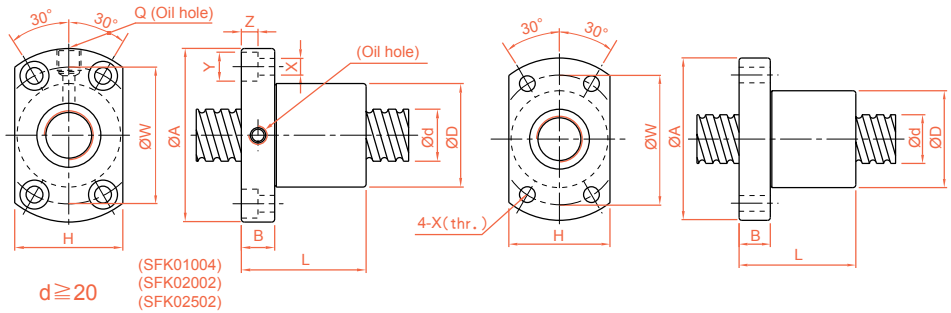


TBI MOTION BALL SCREW

2-2 Precision Ground Ball Screw Series

SFK Series Specifications



Unit : mm

Model No.	d	l	Da	Dimension											Ca (kgf)	Coa (kgf)	K (kgf/ μm)
				D	A	B	L	W	H	X	Y	Z	Q	n			
SFK00401	4	1	0.8	10	20	3	12	15	14	2.9	-	-	-	1x2	64	97	5
SFK00601	6	1	0.8	12	24	3.5	15	18	16	3.4	-	-	-	1x3	111	224	9
SFK00801*	8	1	0.8	14	27	4	16	21	18	3.4	-	-	-	1x4	161	403	14
SFK00802*		2	1.2	14	27	4	18	21	18	3.4	-	-	-	1x3	222	458	13
SFK0082.5		2.5	1.2	16	29	4	26	23	20	3.4	-	-	-	1x3	221	457	13
SFK01002*	10	2	1.2	18	35	5	28	27	22	4.5	-	-	-	1x3	243	569	15
SFK01004		4	2	20	37	6	34	29	28	4.5	-	-	-	1x3	468	905	17
SFK01202*	12	2	1.2	20	37	5	28	29	24	4.5	-	-	-	1x4	334	906	22
SFK01205		5	2.5	22	37	8	39	29	24	4.5	-	-	-	1x3	702	1409	17
SFK01402*	14	2	1.2	21	40	6	23	31	26	5.5	-	-	-	1x4	354	1053	24
SFK01404		4	2.5	25	42	10	45	35	29	4.5	-	-	-	1x4	957	2145	16
SFK01602*	16	2	1.2	25	42	10	40	35	29	5.5	-	-	M6x1	1x4	373	1200	26
SFK02002	20	2	1.2	50	80	15	55	65	68	6.5	10.5	6	M6x1	1x6	581	2284	48
SFK02502	25	2	1.2	50	80	13	43	65	68	6.5	10.5	6	M6x1	1x5	540	2381	46
XSK01004	10	4	2	26	46	10	34	36	28	4.5	8	4.5	M6x1	1x3	468	905	17
XSK01404	14	4	2.5	26	46	10	45	36	28	4.5	8	4.5	M6x1	1x4	957	2145	16

※ ★ Left helix available

※ Standard ball nut SFK00401 is without wiper, other type K standard ball nut is available for with or without wiper, please contact TBI sales representatives.

Unit : mm

Model No.	d	l	Da	Dimension											Ca (kgf)	Coa (kgf)	K (kgf/ μm)
				D	A	B	L	W	H	X	Y	Z	Q	n			
XSUR01204T3D-02	12	4	2.5	24	40	6	28	32	25	3.5	-	-	-	1x3	454	722	-

※ Standard ball nut XSUR01204T3D-02 is assembled without wiper.