

RIZ..G2G3 RIZ..G3G4



TYPE

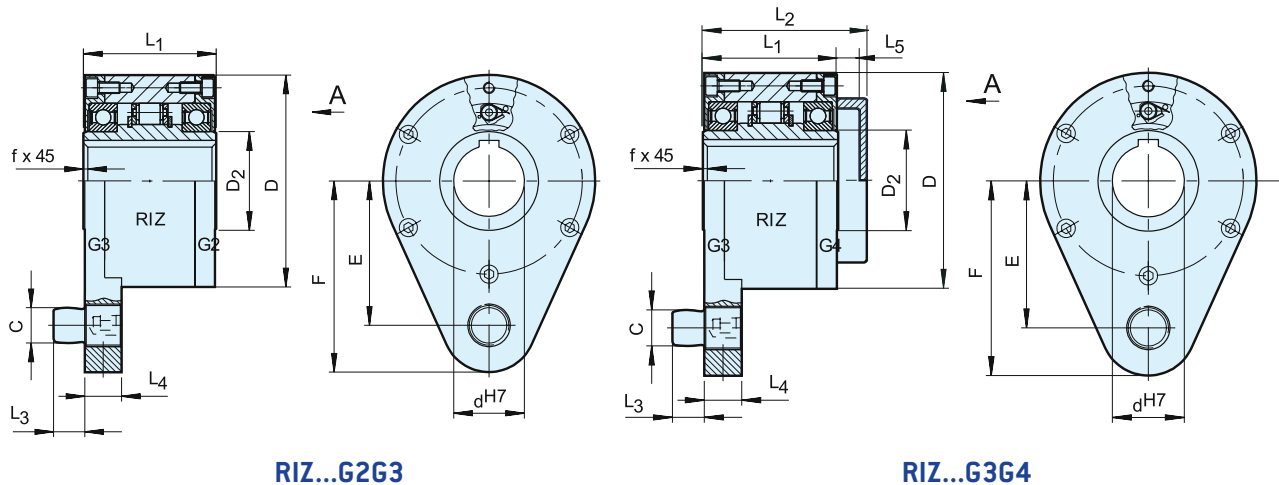


Types RIZ..G2G3/G3G4 are centrifugal lift off sprag type freewheels with the inner race rotating. Only the inner race is designed for freewheeling.

They are self-contained units designed for backstop applications. The overrunning speed must not be less than the minimum specified in the table. This must be considered if using a variable speed drive. The torque bolt must be fitted into a slot on a fixed part of the machine.

The radial clearance should be 1–3 % of the bolt diameter. The torque arm and bearings must not be axially loaded.

They are a type RIZ, (» see page 80) equipped with G type covers featuring grease pockets and contact free seals. When ordered complete, the unit is delivered grease lubricated, ready for either horizontal or vertical installation.



RIZ...G2G3

RIZ...G3G4

Type	Size	Speeds														Weight
		d_{H7} (mm)	$T_{KN}^{1)}$ (Nm)	$n_{min}^{2)}$ (min ⁻¹)	$n_{max}^{3)}$ (min ⁻¹)	D	D ₂	C	L ₁	L ₂	L ₃	L ₄	F	E	L ₅	
RIZ..G2G3 RIZ..G3G4	30	375	780	9000	100	45	16	68	88	14	18	92	68	15	1.0	4.5
	35	550	740	8500	110	50	20	74	96	18	25	102	76	17	1.0	5.6
	40	800	720	7500	125	55	20	86	109	18	25	112	85	18	1.5	8.5
	45	912	665	6600	130	60	25	86	109	22	25	120	90	18	1.5	8.9
	50	1400	610	6000	150	70	25	94	116	22	25	135	102	18	1.5	12.8
	60	2350	490	5300	170	80	32	114	139	25	30	145	112	20	2.0	19.3
	70	3050	480	4100	190	90	38	134	168	30	35	175	135	26	2.5	23.5
	80	4500	450	3600	210	105	38	144	178	30	35	185	145	26	2.5	32
	90	5600	420	2700	230	120	50	158	192	40	45	205	155	26	3.0	47.2
	100	10500	455	2700	270	140	50	182	217	40	45	230	180	26	3.0	76
130	15750	415	2400	310	160	68	212	250	55	60	268	205	28	3.0	110	

NOTES

- 1) $T_{max} = 2 \times T_{KN}$
» Refer to Selection page 10 to 13
- 2) This minimum allowable overrunning speed n_{mi} should not be reduced under continuous operation. Possible reduction of this minimum speed on request.
- 3) Inner race overruns
Keyway to DIN 6885.1

When ordering, please specify direction of rotation seen from arrow „A“: „R“ Inner race overruns in clockwise direction, „L“ Inner race overruns in counterclockwise direction

» Refer to mounting and maintenance instructions page 16 to 19

MOUNTING EXAMPLE

